

Cync Outdoor Plug Specifications



Box Contents



- (1) Outdoor Smart Plug
- (1) Mounting Screw
- (1) Drywall Anchor
- (1) User Guide

Specifications

Device

Description	CPLG0D2BLG1
Finish	Black, Charcoal
Housing Texture	Matte
Outlet Panel Texture	Gloss
Size	Fits standard 3-prong sockets

Dimensions and Weight

	Length	Width	Height	Weight
Outdoor Plug (not including cable)	2.50in (63.6mm)	5.09in (129.3mm)	2.8in (71.7mm)	0.57lbs (260g)
Cable	5.9in (150mm)	-	-	-

Electrical

Input Voltage	120V, 60Hz
Load Wattage (Output)	Max. 15A for general use; Max. 1/3HP Motor
Power Source	AC

Environmental

Operating Temperature	-4°F to 122°F (-20°C to 50°C)
Storage Temperature	-4°F to 158°F (-20°C to 70°C)
Relative Humidity	< 88% 32°C
Environment (Wet, Dry, Damp)	Wet
IP Rating	IP64

Controls

Buttons	On/Off: Control for each outlet Factory Reset: Press and hold for Factory Reset
Wireless	Yes
Wireless Protocol	Wi-Fi (2.4 GHz) and BLE
Wi-Fi Range	300ft (open area)
Local Control	Local Control via BLE
Out-of-Home Control	Out-of-Home Control via OTA (Over The Air)
Mobile Compatibility	Works with iOS 13 and above and Android 9 and above
Voice Assistant Compatibility	Works with Google Home and Amazon Alexa Note: Each outlet will be shown as independent devices within the Cync App and can be controlled separately.

LED Behavior

Blue	Fade On/Off: BLE Broadcast
Green	Fade On/Off: Identified Static On: Outlet Power On
Red	Static On: Wi-Fi Disconnected

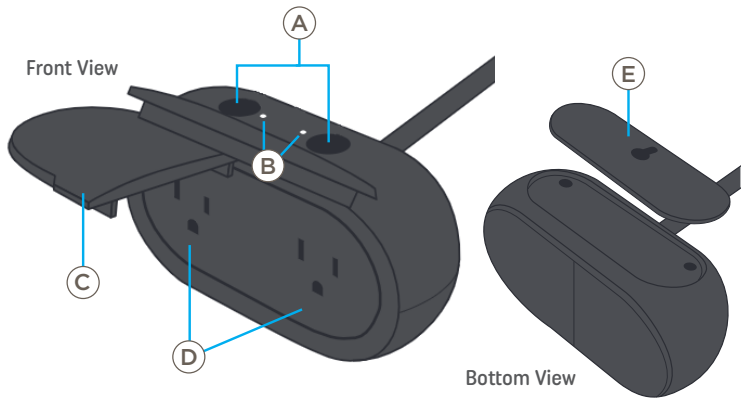
Reliability and Warranty

Warranty	2 Years	
Warranty Operating Conditions	Operating Temperature	-4°F to 122°F (-20°C to 50°C)
	Operating Humidity	RH < 88% 32°C

Certifications

Safety Listing	UL60730-1 and UL498A
FCC	Complies with FCC Part 15, Class B

Device Overview



- (A) On/Off Buttons. Press and hold for factory reset.
- (B) LED Indicators
- (C) Rubberized Door Hinge
- (D) Outlets
- (E) Removable Backplate with mounting hole